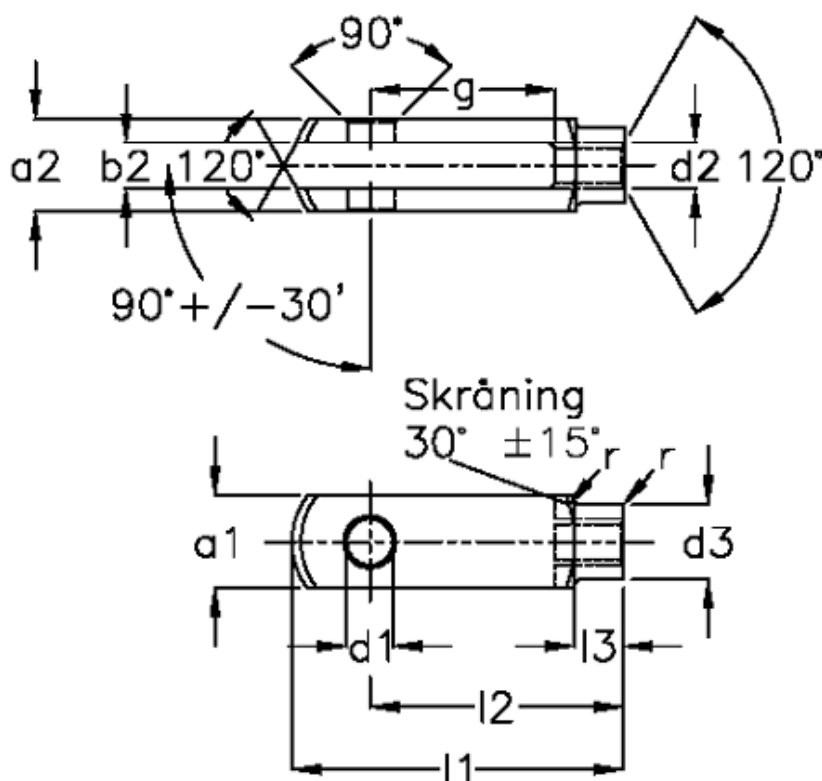


Article number: 1405705101

Description: KLEE St. steel Fork joint G 5x10
M5x0,8, left

Measures



a1 (h11)	= 10	g (+/-0.5)	= 10
a2	= 10 (+0,3 -0,16)	l1 (+/-0.5)	= 26
b1 (B13)	= 5	l2	= 20 (-0,3)
b2	= 5 (B13)	l3	= 7,5 (+/-0,
d1 H9	= 5	r	= 0.5
d2	= M 5 x 0,8	Size	= G 5 x 10
d3 (+/-0.3)	= 9	Weight	= 0.009
f (+/-0.2)	= 0.5		